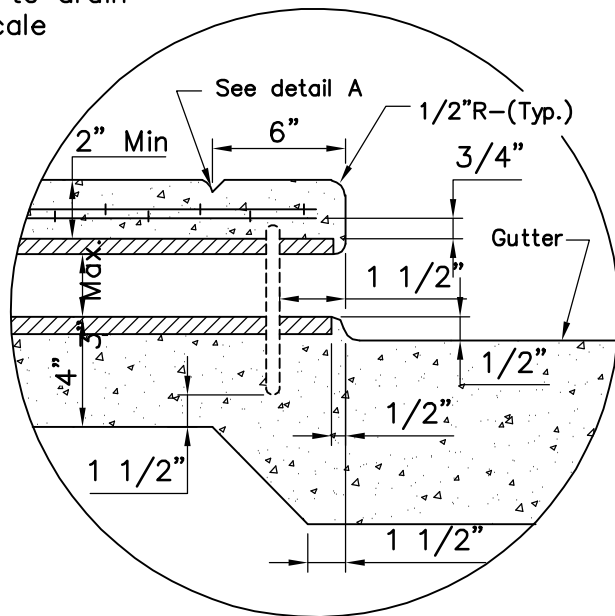


SECTION B-B
 Transverse to drain
 No scale



DETAIL A
 No scale

For general notes see SHEET 2 of 2.

Not to scale



Not Personal
 City Engineer

6/30/05
 Date

SHEET
 1 of 2

SIDEWALK
 UNDERDRAIN

S-13

NOTES:

1. If multiple conduits are used, space 4" clear between each conduit.
2. Maximum rectangular conduit shall be 3" x 6".
3. Concrete shall be Class "B".
4. Number and size of conduits for specified drainage area:

SIZE		3"	2-3"	3"	3"x4"	3"x5"	3"x6"
Area Drained (S.F.)	Parking lot	2,000	4,000	4,000	5,000	6,500	8,000
	Residential	5,000	10,000	6,200	10,000	10,500	16,000

5. Conduit shall be steel (Ga. 10 min.), PVC, or as approved by the Engineer.
6. Concrete construction shall conform to Section 73 and 90 of the State of California Standard Specifications.