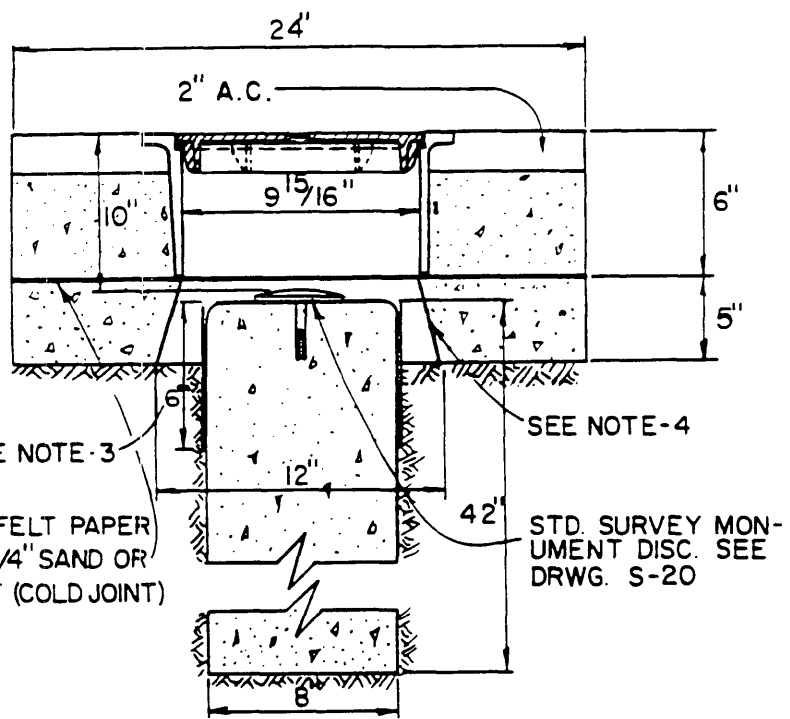


PLAN AND SECTION A - A  
TYPICAL INSTALLATION

DUCTILE IRON  
TRAFFIC VALVE BOX

NOTES:

1. COVER SHALL BE MARKED "MONUMENT" AND BE DESIGNED TO CARRY A 16,000 LB. MIN. WHEEL LOAD.
2. RISER ASSEMBLY AVAILABLE (NOT SHOWN)
3. 8" DIAMETER COLLAR FORMED OF #30 FELT, 1" BELOW COLD JOINT, AS SHOWN.
4. TAPERED METAL CONE, OR 3/32" (OR HEAVIER) CHIPBOARD.
5. REFER TO FORNI CORP. "IRONSIDES" TYPE 80-60-03 9 1/2" VALVE BOX.
6. MONROE CASTINGS, PART NO'S 9277M, 9278, 9279, MAY BE USED CONFORMING WITH THE INSTALLATION DETAILS SHOWN ON THIS SHEET



CITY OF CONCORD  
SURVEY MONUMENT

|            |          |                               |                 |
|------------|----------|-------------------------------|-----------------|
| DESIGNED   | DRAWN    | John D Poore<br>CITY ENGINEER | 7-20-76<br>DATE |
| NONE       | SCALE    | CHECKED                       | SHEET 1/1       |
| NO BY DATE | REVISION |                               | S - 19          |